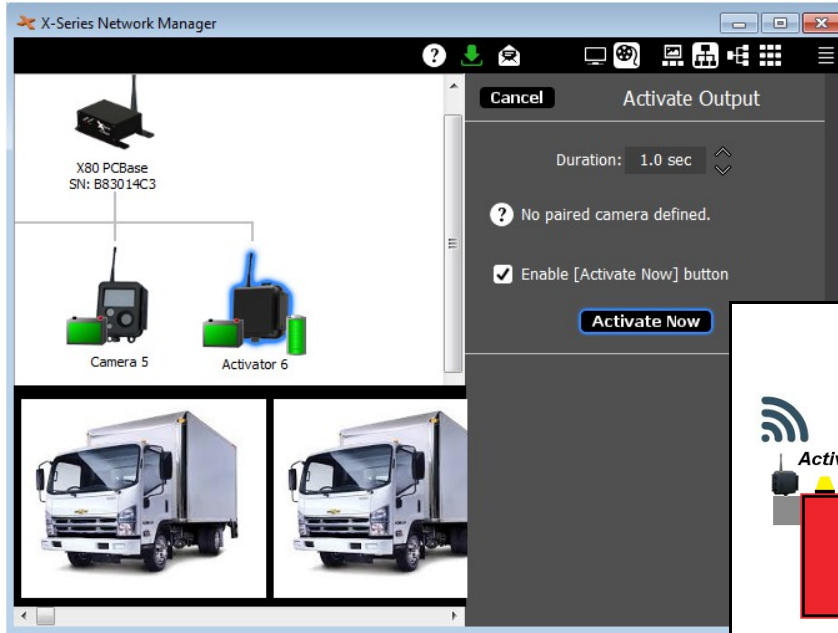
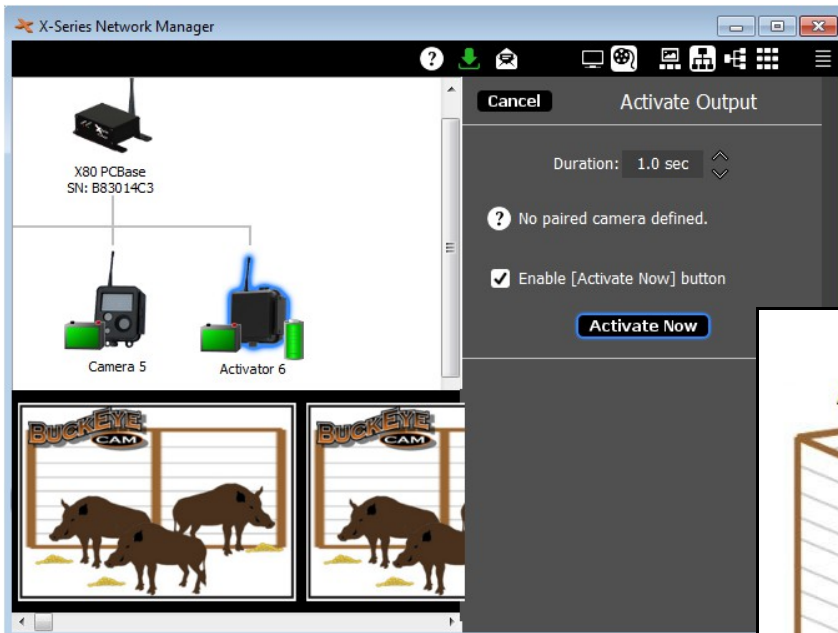


Add an X80 Activator to your wireless camera network and take control!

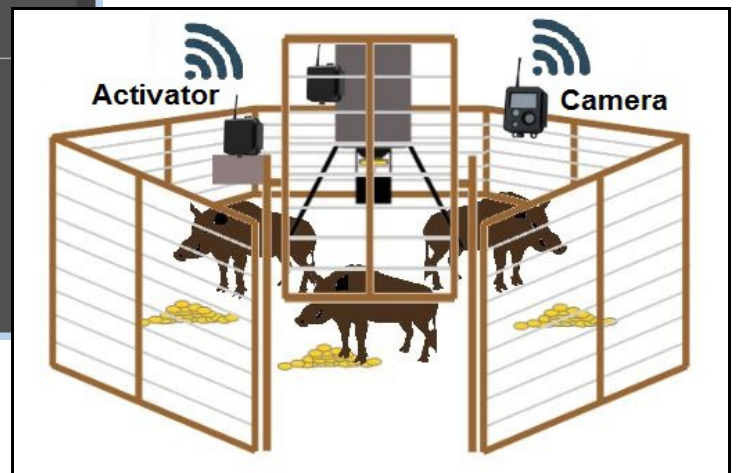
Control gates, motors, pumps or solenoids in response to images received from X80 wireless cameras.



Works great for security gates.



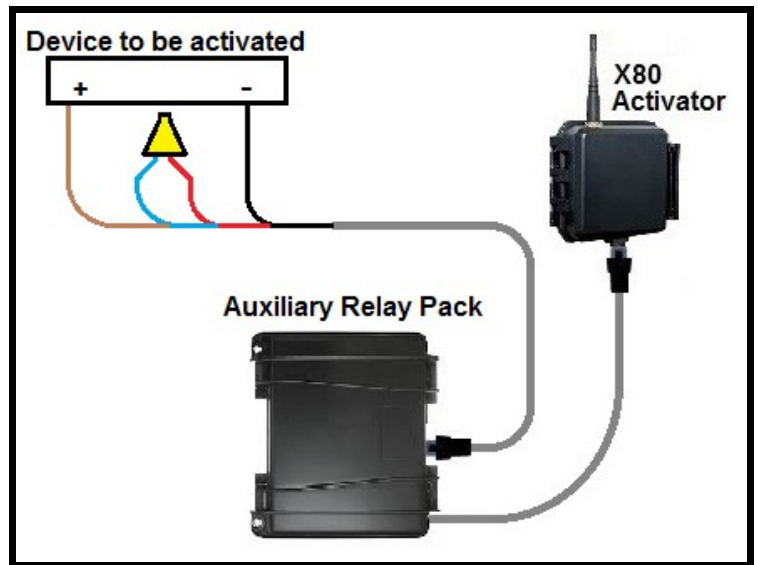
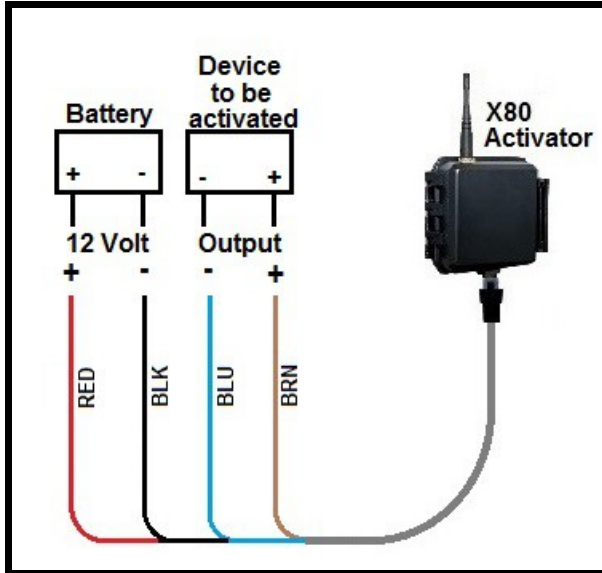
Ideal solution for feral hog trapping.



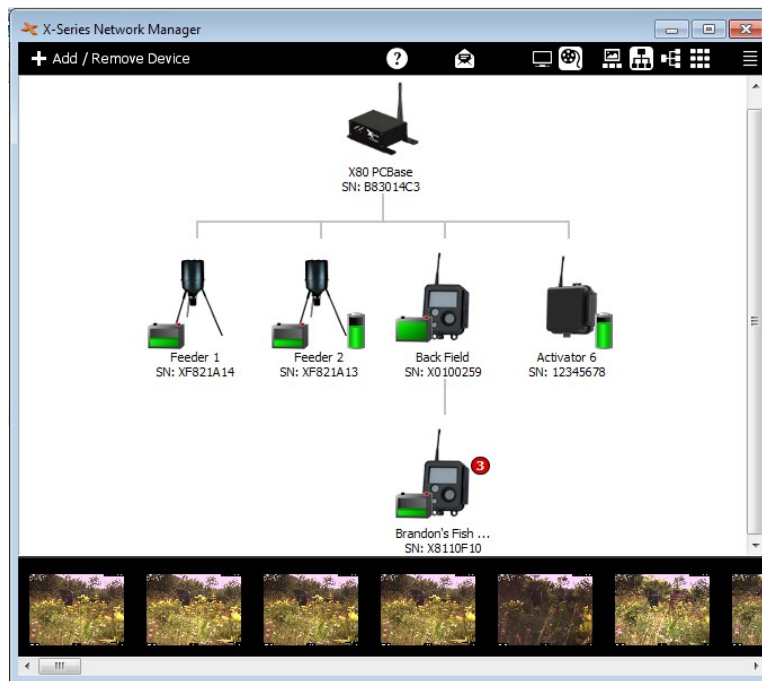
Control 12 Volt DC devices

Up to 5 Amps

5 – 20 Amps



Compatible with all X80 wireless devices including cameras and feeder controllers. Control and monitor everything from the X-Series Network Manager application.



For videos, user manuals, and price information on all X80 Wireless products visit:

www.buckeyecam.com